

**MAXIMUM SHEAVE LOADS:**  
 LONGITUDINAL (0°) 1750kg  
 TRANSVERSE (90°) 1225kg  
 COMBINED 1750kg

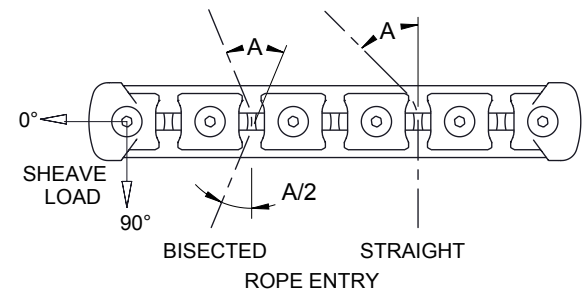
**SHEAVE SPACING:**  
 STANDARD SHEAVE SPACING SHOWN.  
 CUSTOM SPACING AVAILABLE IN 1.0MM INCREMENTS.

**WEIGHT:**  
 268g (INCLUDING FULL LENGTH STAINLESS STEEL DECK FIXINGS)  
 TITANIUM OPTION AVAILABLE (183g) - CONTACT SPINLOCK FOR MORE INFORMATION.

**INSTALLATION:**  
 MOUNTING SURFACE MUST BE SUFFICIENTLY STRONG AND STIFF TO WITHSTAND COMPRESSIVE AND SHEAR FORCES EXERTED BY SHEAVE LOADING

**MAX ROPE TENSION (kg)**

DEFLECTION ANGLE 'A' (°)	BISECTED ENTRY	STRAIGHT ENTRY
15	6700	6590
30	3380	3160
45	2290	1970
60	1750	1380
90	1240	870



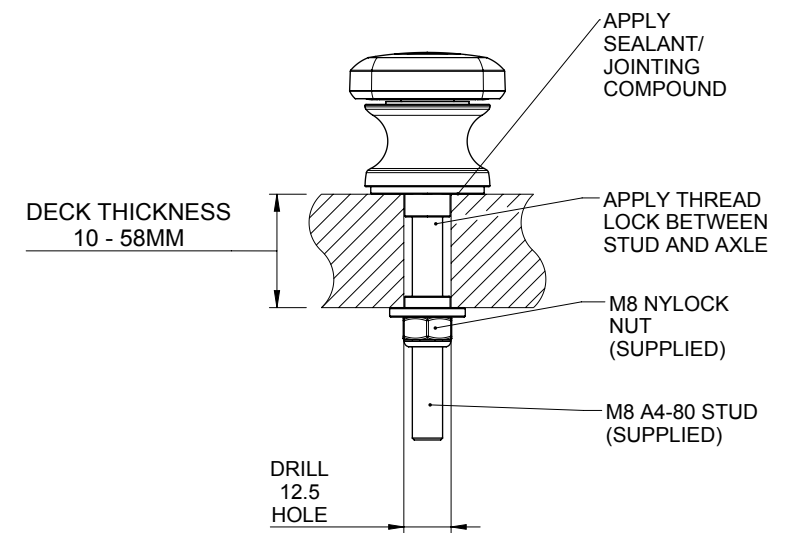
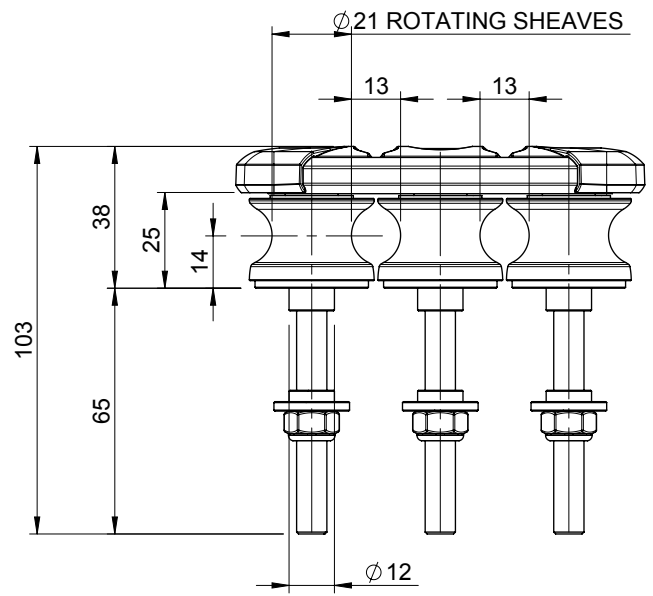
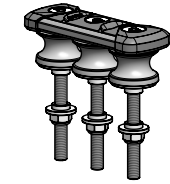
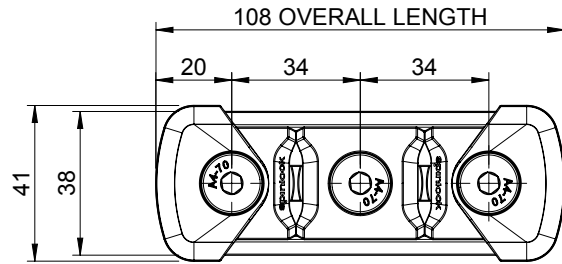
**spinlock**  
 BE ADVENTURE-PROOF

**WARNING:**  
 IF USING AS TEMPLATE, ENSURE PRINTER SETTINGS ARE ADJUSTED TO ACCOUNT FOR THE DRAWING SCALE AND ALWAYS CHECK DIMENSIONS.  
**COPYRIGHT:**  
 THIS DRAWING IS PROTECTED BY COPYRIGHT. ANY USE IS FORBIDDEN WITHOUT THE WRITTEN CONSENT OF SPINLOCK.

ALL DIMENSIONS IN MM  
 SCALE 1:2  
 PAGE SIZE (297 x 210)  
 A4

DATE:	NOV 17
LINE SIZE:	Ø13 MAX
FASTENERS:	2 x M8
MAX LOAD:	SEE TABLE

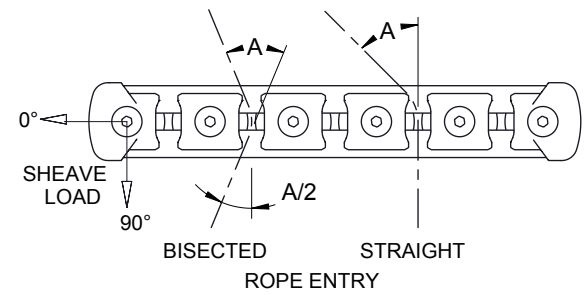
**TSR20L/2**



**MAXIMUM SHEAVE LOADS:**  
 LONGITUDINAL (0°) 1750kg  
 TRANSVERSE (90°) 1225kg  
 COMBINED 2625kg

**MAX ROPE TENSION (kg)**

DEFLECTION ANGLE 'A' (°)	BISECTED ENTRY	STRAIGHT ENTRY
15	6700	6590
30	3380	3160
45	2290	1970
60	1750	1380
90	1240	870



**SHEAVE SPACING:**  
 STANDARD SHEAVE SPACING SHOWN.  
 CUSTOM SPACING AVAILABLE IN 1.0MM INCREMENTS.

**WEIGHT:**  
 401g (INCLUDING FULL LENGTH STAINLESS STEEL DECK FIXINGS)  
 TITANIUM OPTION AVAILABLE (274g) - CONTACT SPINLOCK FOR MORE INFORMATION.

**INSTALLATION:**  
 MOUNTING SURFACE MUST BE SUFFICIENTLY STRONG AND STIFF TO WITHSTAND COMPRESSIVE AND SHEAR FORCES EXERTED BY SHEAVE LOADING

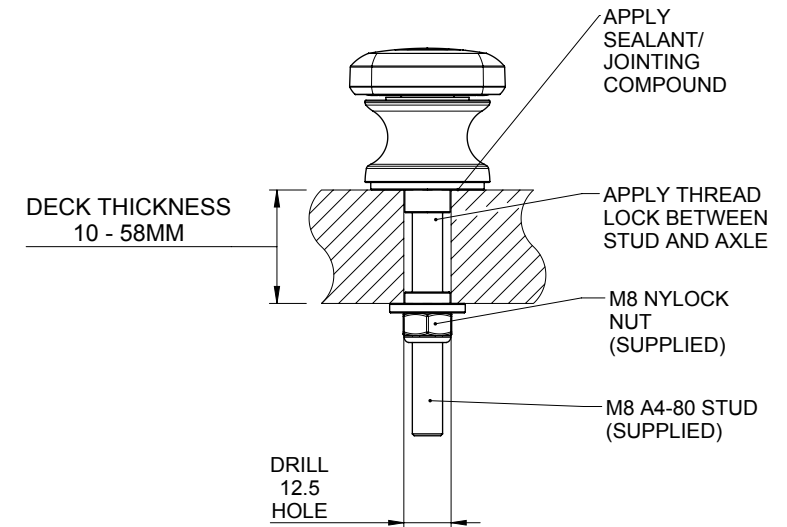
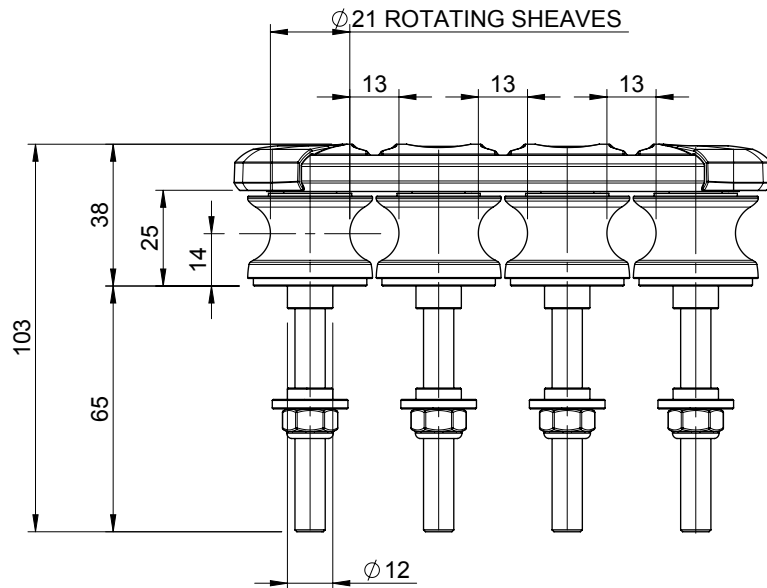
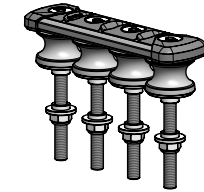
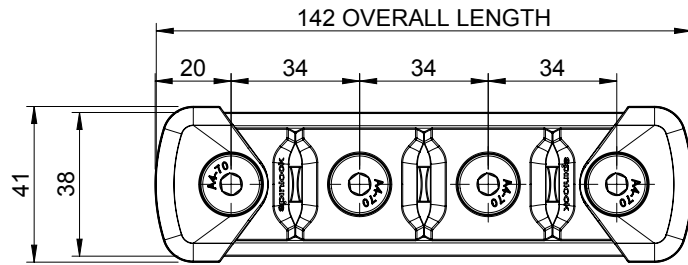
**spinlock**  
 BE ADVENTURE-PROOF

**WARNING:**  
 IF USING AS TEMPLATE, ENSURE PRINTER SETTINGS ARE ADJUSTED TO ACCOUNT FOR THE DRAWING SCALE AND **ALWAYS** CHECK DIMENSIONS.  
**COPYRIGHT:**  
 THIS DRAWING IS PROTECTED BY COPYRIGHT. ANY USE IS FORBIDDEN WITHOUT THE WRITTEN CONSENT OF SPINLOCK.

ALL DIMENSIONS IN MM  
 SCALE 1:2  
 PAGE SIZE (297 x 210)  
 A4

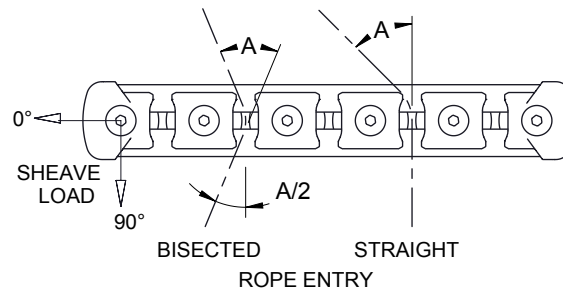
DATE: NOV 17  
 LINE SIZE: Ø13 MAX  
 FASTENERS: 3 x M8  
 MAX LOAD: SEE TABLE

**TSR20L/3**



**MAXIMUM SHEAVE LOADS:**  
 LONGITUDINAL (0°) 1750kg  
 TRANSVERSE (90°) 1225kg  
 COMBINED 3500kg

MAX ROPE TENSION (kg)		
DEFLECTION	BISECTED	STRAIGHT
ANGLE 'A' (°)	ENTRY	ENTRY
15	6700	6590
30	3380	3160
45	2290	1970
60	1750	1380
90	1240	870



**SHEAVE SPACING:**  
 STANDARD SHEAVE SPACING SHOWN.  
 CUSTOM SPACING AVAILABLE IN 1.0MM INCREMENTS.

**WEIGHT:**  
 535g (INCLUDING FULL LENGTH STAINLESS STEEL DECK FIXINGS)  
 TITANIUM OPTION AVAILABLE (365g) - CONTACT SPINLOCK FOR MORE INFORMATION.

**INSTALLATION:**  
 MOUNTING SURFACE MUST BE SUFFICIENTLY STRONG AND STIFF TO WITHSTAND COMPRESSIVE AND SHEAR FORCES EXERTED BY SHEAVE LOADING

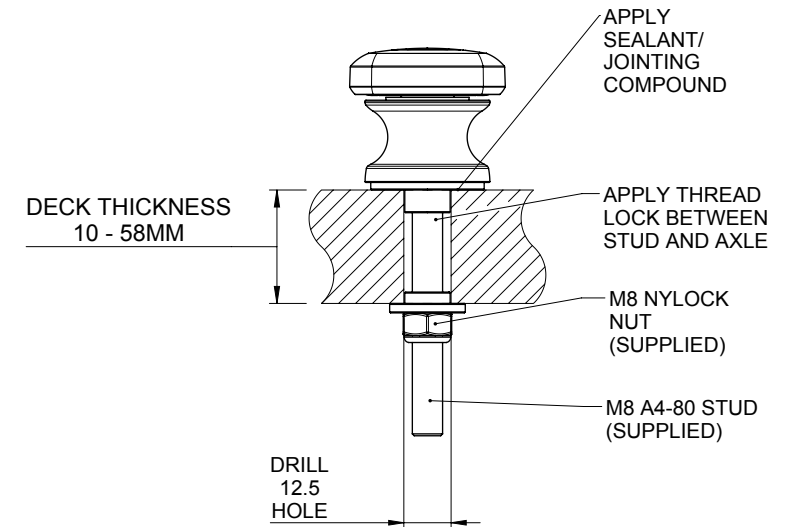
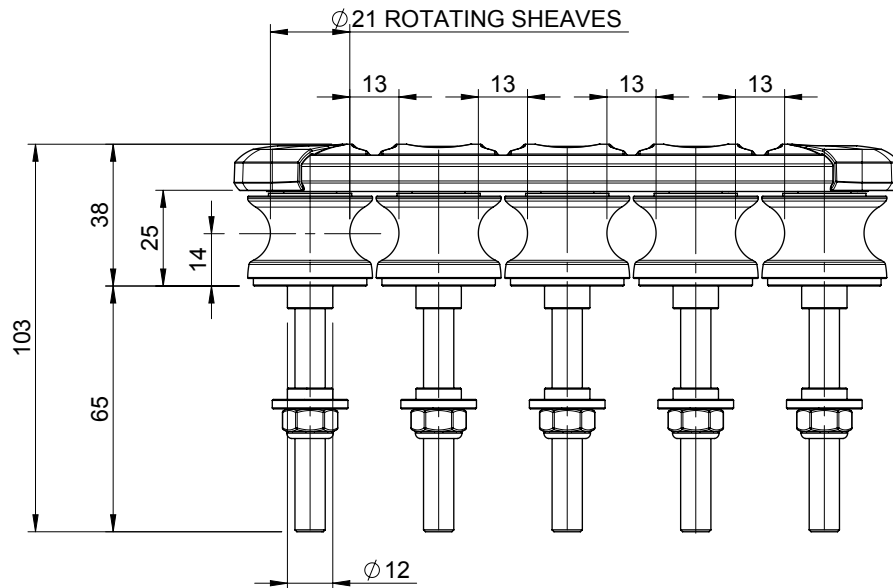
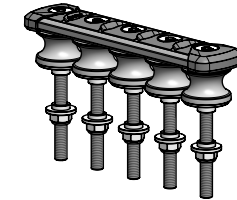
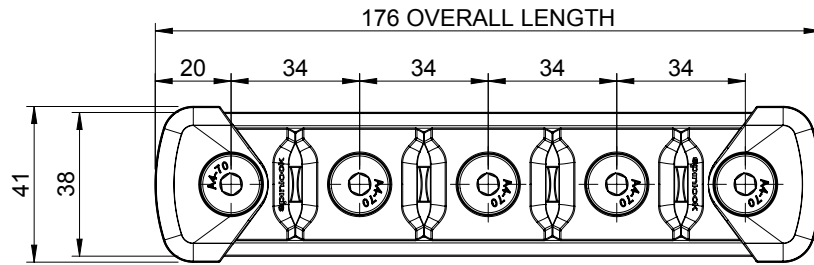
**spinlock**  
 BE ADVENTURE-PROOF

**WARNING:**  
 IF USING AS TEMPLATE, ENSURE PRINTER SETTINGS ARE ADJUSTED TO ACCOUNT FOR THE DRAWING SCALE AND ALWAYS CHECK DIMENSIONS.  
**COPYRIGHT:**  
 THIS DRAWING IS PROTECTED BY COPYRIGHT. ANY USE IS FORBIDDEN WITHOUT THE WRITTEN CONSENT OF SPINLOCK.

ALL DIMENSIONS IN MM  
 SCALE 1:2  
 PAGE SIZE (297 x 210)  
 A4

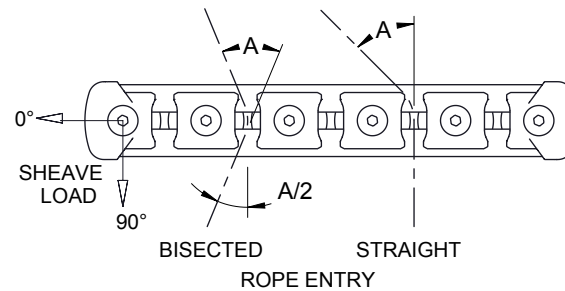
DATE: NOV 17  
 LINE SIZE: Ø13 MAX  
 FASTENERS: 4 x M8  
 MAX LOAD: SEE TABLE

**TSR20L/4**



**MAXIMUM SHEAVE LOADS:**  
 LONGITUDINAL (0°) 1750kg  
 TRANSVERSE (90°) 1225kg  
 COMBINED 4375kg

MAX ROPE TENSION (kg)		
DEFLECTION ANGLE 'A' (°)	BISECTED ENTRY	STRAIGHT ENTRY
15	6700	6590
30	3380	3160
45	2290	1970
60	1750	1380
90	1240	870



**SHEAVE SPACING:**  
 STANDARD SHEAVE SPACING SHOWN.  
 CUSTOM SPACING AVAILABLE IN 1.0MM INCREMENTS.

**WEIGHT:**  
 669g (INCLUDING FULL LENGTH STAINLESS STEEL DECK FIXINGS)  
 TITANIUM OPTION AVAILABLE (457g) - CONTACT SPINLOCK FOR MORE INFORMATION.

**INSTALLATION:**  
 MOUNTING SURFACE MUST BE SUFFICIENTLY STRONG AND STIFF TO WITHSTAND COMPRESSIVE AND SHEAR FORCES EXERTED BY SHEAVE LOADING

**spinlock**  
 BE ADVENTURE-PROOF



**WARNING:**  
 IF USING AS TEMPLATE, ENSURE PRINTER SETTINGS ARE ADJUSTED TO ACCOUNT FOR THE DRAWING SCALE AND ALWAYS CHECK DIMENSIONS.



**COPYRIGHT:**  
 THIS DRAWING IS PROTECTED BY COPYRIGHT. ANY USE IS FORBIDDEN WITHOUT THE WRITTEN CONSENT OF SPINLOCK.

ALL DIMENSIONS IN MM

SCALE

1:2

PAGE SIZE  
 (297 x 210)

A4

DATE: NOV 17

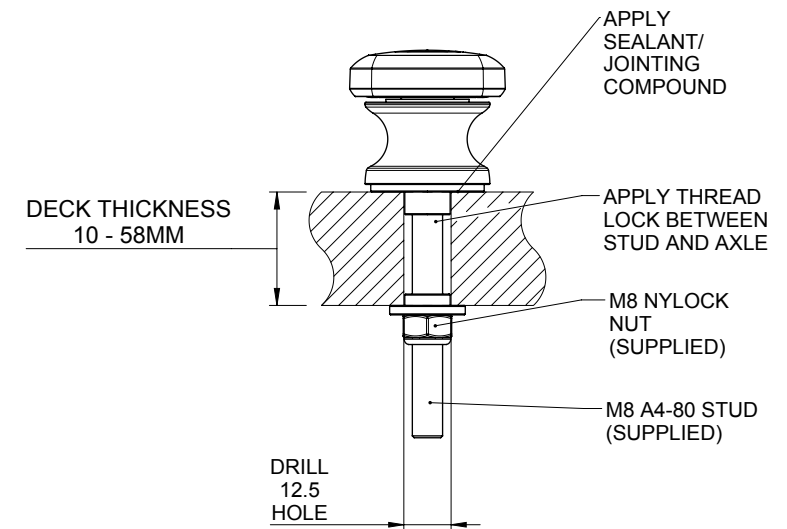
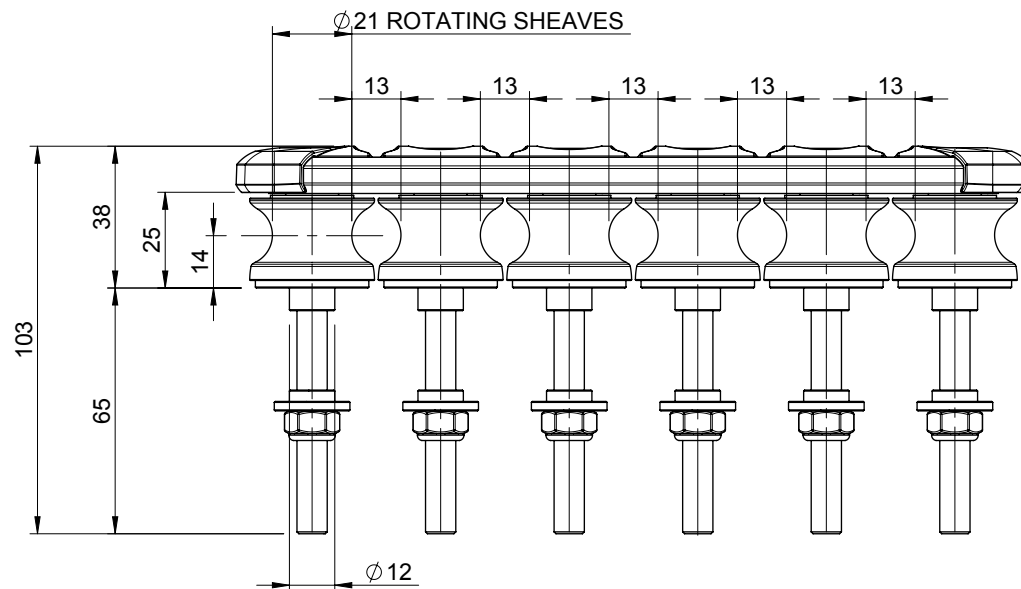
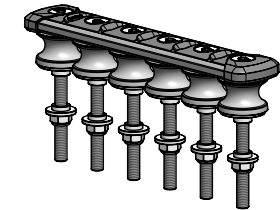
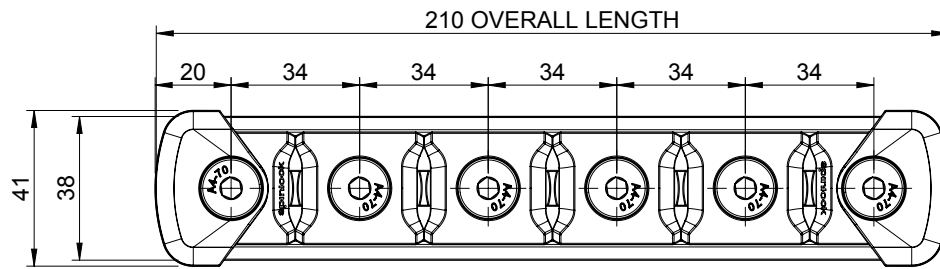
LINE SIZE: Ø13 MAX

FASTENERS: 5 x M8

MAX LOAD: SEE TABLE

**TSR20L/5**



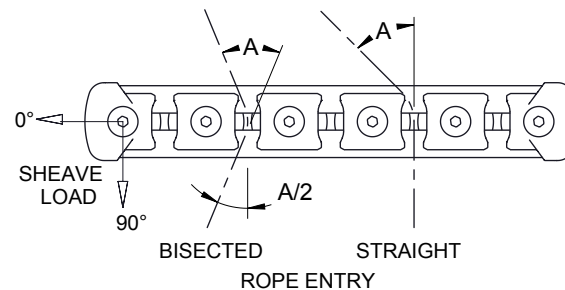


**MAXIMUM SHEAVE LOADS:**

LONGITUDINAL (0°)	1750kg
TRANSVERSE (90°)	1225kg
COMBINED	5250kg

**MAX ROPE TENSION (kg)**

DEFLECTION ANGLE 'A' (°)	BISECTED ENTRY	STRAIGHT ENTRY
15	6700	6590
30	3380	3160
45	2290	1970
60	1750	1380
90	1240	870



**SHEAVE SPACING:**

STANDARD SHEAVE SPACING SHOWN.  
CUSTOM SPACING AVAILABLE IN 1.0MM INCREMENTS.

**WEIGHT:**

803g (INCLUDING FULL LENGTH STAINLESS STEEL DECK FIXINGS)  
TITANIUM OPTION AVAILABLE (548g) - CONTACT SPINLOCK FOR MORE INFORMATION.

**INSTALLATION:**

MOUNTING SURFACE MUST BE SUFFICIENTLY STRONG AND STIFF TO WITHSTAND COMPRESSIVE AND SHEAR FORCES EXERTED BY SHEAVE LOADING

**spinlock**  
BE ADVENTURE-PROOF



**WARNING:**  
IF USING AS TEMPLATE, ENSURE PRINTER SETTINGS ARE ADJUSTED TO ACCOUNT FOR THE DRAWING SCALE AND **ALWAYS** CHECK DIMENSIONS.



**COPYRIGHT:**  
THIS DRAWING IS PROTECTED BY COPYRIGHT. ANY USE IS FORBIDDEN WITHOUT THE WRITTEN CONSENT OF SPINLOCK.

ALL DIMENSIONS IN MM

SCALE

1:2

PAGE SIZE  
(297 x 210)

A4

DATE:

NOV 17

LINE SIZE:

Ø13 MAX

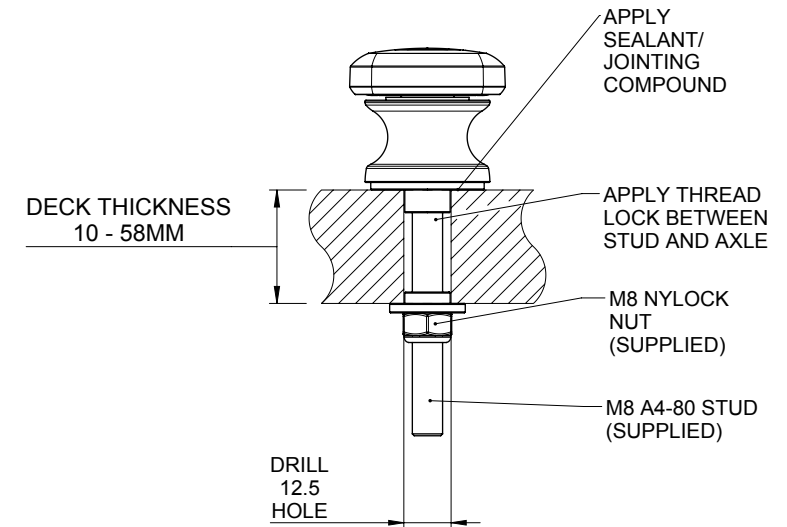
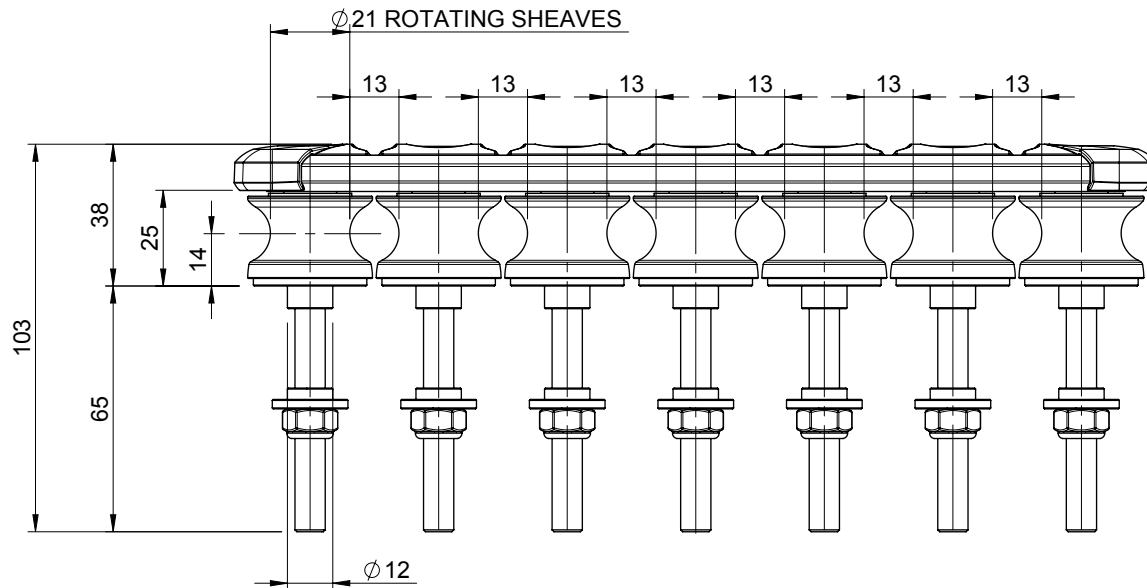
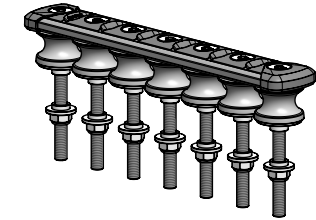
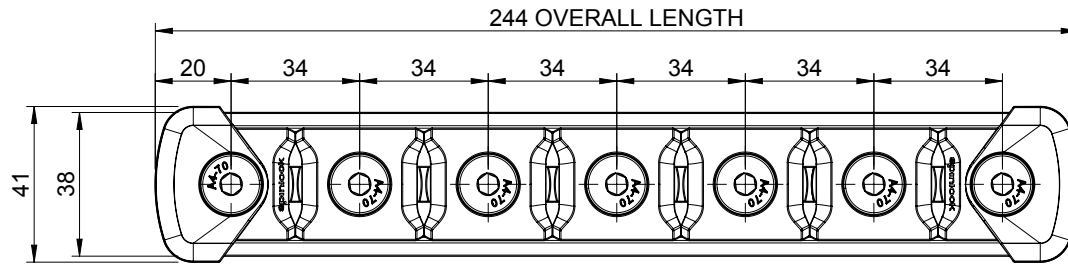
FASTENERS:

6 x M8

MAX LOAD:

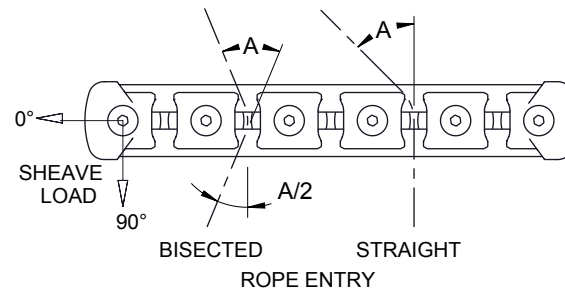
SEE TABLE

**TSR20L/6**



**MAXIMUM SHEAVE LOADS:**  
 LONGITUDINAL (0°) 1750kg  
 TRANSVERSE (90°) 1225kg  
 COMBINED 6125kg

MAX ROPE TENSION (kg)		
DEFLECTION	BISECTED	STRAIGHT
ANGLE 'A' (°)	ENTRY	ENTRY
15	6700	6590
30	3380	3160
45	2290	1970
60	1750	1380
90	1240	870



**SHEAVE SPACING:**  
 STANDARD SHEAVE SPACING SHOWN.  
 CUSTOM SPACING AVAILABLE IN 1.0MM INCREMENTS.

**WEIGHT:**  
 936g (INCLUDING FULL LENGTH STAINLESS STEEL DECK FIXINGS)  
 TITANIUM OPTION AVAILABLE (639g) - CONTACT SPINLOCK FOR MORE INFORMATION.

**INSTALLATION:**  
 MOUNTING SURFACE MUST BE SUFFICIENTLY STRONG AND STIFF TO WITHSTAND COMPRESSIVE AND SHEAR FORCES EXERTED BY SHEAVE LOADING

**spinlock**  
 BE ADVENTURE-PROOF



**WARNING:**  
 IF USING AS TEMPLATE, ENSURE PRINTER SETTINGS ARE ADJUSTED TO ACCOUNT FOR THE DRAWING SCALE AND **ALWAYS** CHECK DIMENSIONS.



**COPYRIGHT:**  
 THIS DRAWING IS PROTECTED BY COPYRIGHT. ANY USE IS FORBIDDEN WITHOUT THE WRITTEN CONSENT OF SPINLOCK.

ALL DIMENSIONS IN MM

SCALE

1:2

PAGE SIZE  
(297 x 210)

A4

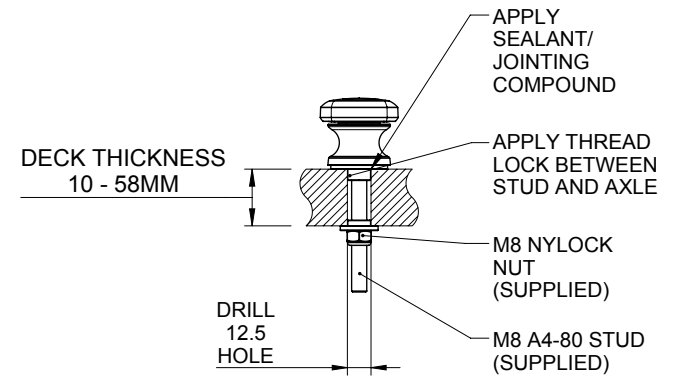
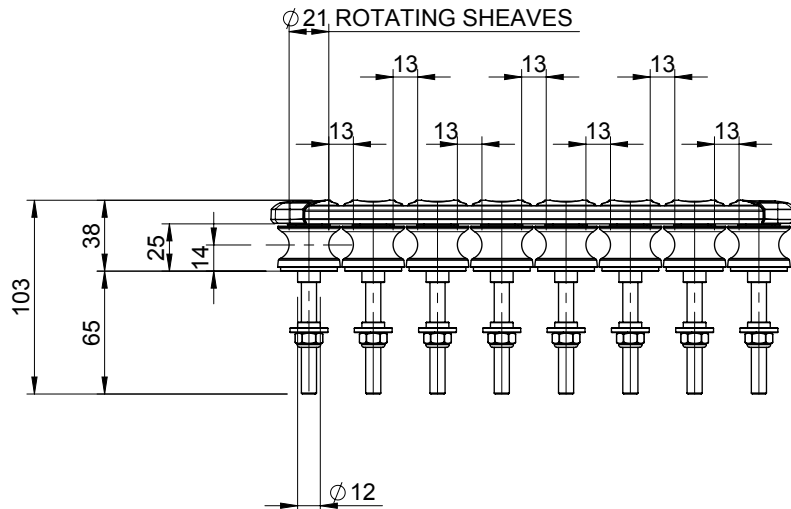
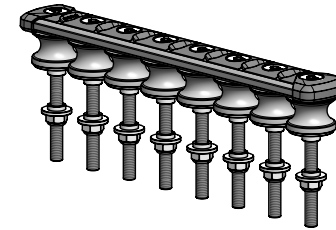
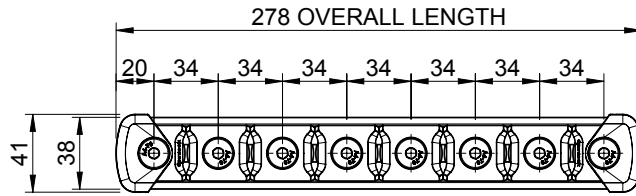
DATE: NOV 17

LINE SIZE: Ø13 MAX

FASTENERS: 7 x M8

MAX LOAD: SEE TABLE

**TSR20L/7**

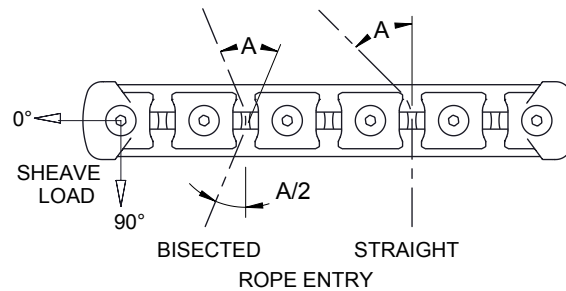


**MAXIMUM SHEAVE LOADS:**

LONGITUDINAL (0°)	1750kg
TRANSVERSE (90°)	1225kg
COMBINED	7000kg

**MAX ROPE TENSION (kg)**

DEFLECTION ANGLE 'A' (°)	BISECTED ENTRY	STRAIGHT ENTRY
15	5750	5650
30	2900	2710
45	1960	1690
60	1500	1180
90	1060	740



**SHEAVE SPACING:**

STANDARD SHEAVE SPACING SHOWN.  
CUSTOM SPACING AVAILABLE IN 1.0MM INCREMENTS.

**WEIGHT:**

1070g (INCLUDING FULL LENGTH STAINLESS STEEL DECK FIXINGS)  
TITANIUM OPTION AVAILABLE (730g) - CONTACT SPINLOCK FOR MORE INFORMATION.

**INSTALLATION:**

MOUNTING SURFACE MUST BE SUFFICIENTLY STRONG AND STIFF TO WITHSTAND COMPRESSIVE AND SHEAR FORCES EXERTED BY SHEAVE LOADING

**spinlock**  
BE ADVENTURE-PROOF



**WARNING:**  
IF USING AS TEMPLATE, ENSURE PRINTER SETTINGS ARE ADJUSTED TO ACCOUNT FOR THE DRAWING SCALE AND **ALWAYS** CHECK DIMENSIONS.



**COPYRIGHT:**  
THIS DRAWING IS PROTECTED BY COPYRIGHT. ANY USE IS FORBIDDEN WITHOUT THE WRITTEN CONSENT OF SPINLOCK.

ALL DIMENSIONS IN MM

SCALE

1:4

PAGE SIZE  
(297 x 210)

A4

DATE:

SEP17

LINE SIZE:

Ø13 MAX

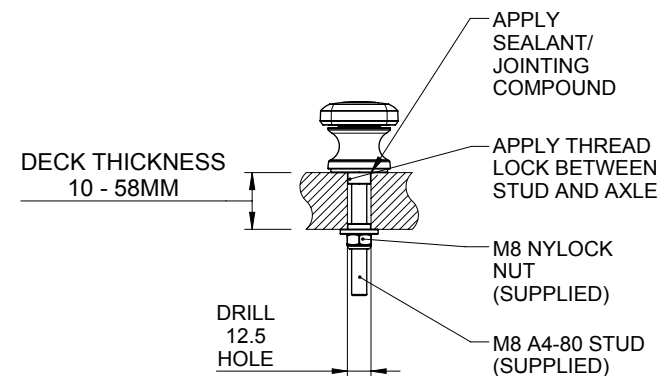
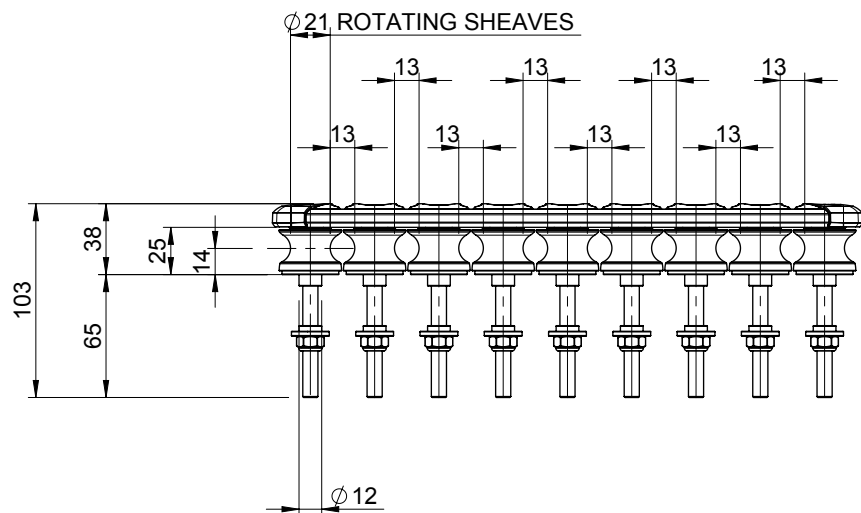
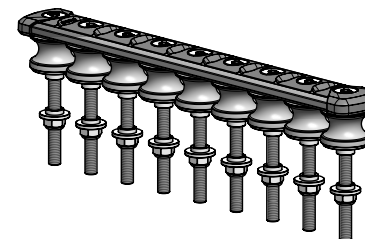
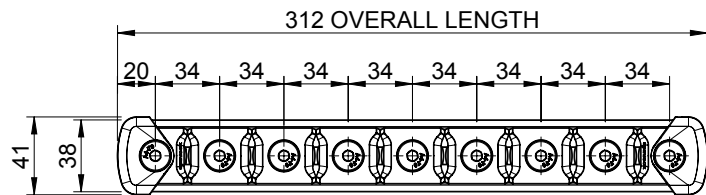
FASTENERS:

8 x M8

MAX LOAD:

SEE TABLE

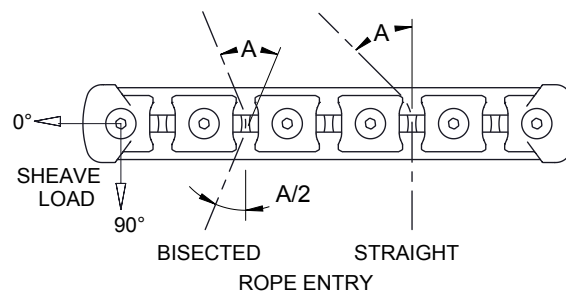
**TSR20L/8**



**MAXIMUM SHEAVE LOADS:**  
 LONGITUDINAL (0°) 1750kg  
 TRANSVERSE (90°) 1225kg  
 COMBINED 7875kg

**MAX ROPE TENSION (kg)**

DEFLECTION ANGLE 'A' (°)	BISECTED ENTRY	STRAIGHT ENTRY
15	5750	5650
30	2900	2710
45	1960	1690
60	1500	1180
90	1060	740



**SHEAVE SPACING:**  
 STANDARD SHEAVE SPACING SHOWN.  
 CUSTOM SPACING AVAILABLE IN 1.0MM INCREMENTS.

**WEIGHT:**  
 1204g (INCLUDING FULL LENGTH STAINLESS STEEL DECK FIXINGS)  
 TITANIUM OPTION AVAILABLE (822g) - CONTACT SPINLOCK FOR MORE INFORMATION.

**INSTALLATION:**  
 MOUNTING SURFACE MUST BE SUFFICIENTLY STRONG AND STIFF TO WITHSTAND COMPRESSIVE AND SHEAR FORCES EXERTED BY SHEAVE LOADING

**spinlock**  
 BE ADVENTURE-PROOF

**WARNING:**  
 IF USING AS TEMPLATE, ENSURE PRINTER SETTINGS ARE ADJUSTED TO ACCOUNT FOR THE DRAWING SCALE AND **ALWAYS** CHECK DIMENSIONS.  
**COPYRIGHT:**  
 THIS DRAWING IS PROTECTED BY COPYRIGHT. ANY USE IS FORBIDDEN WITHOUT THE WRITTEN CONSENT OF SPINLOCK.

ALL DIMENSIONS IN MM

SCALE

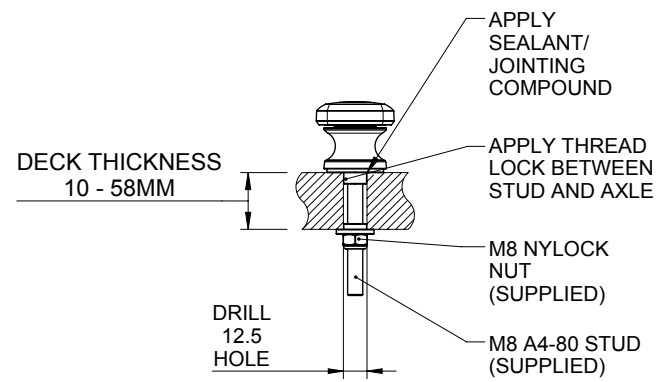
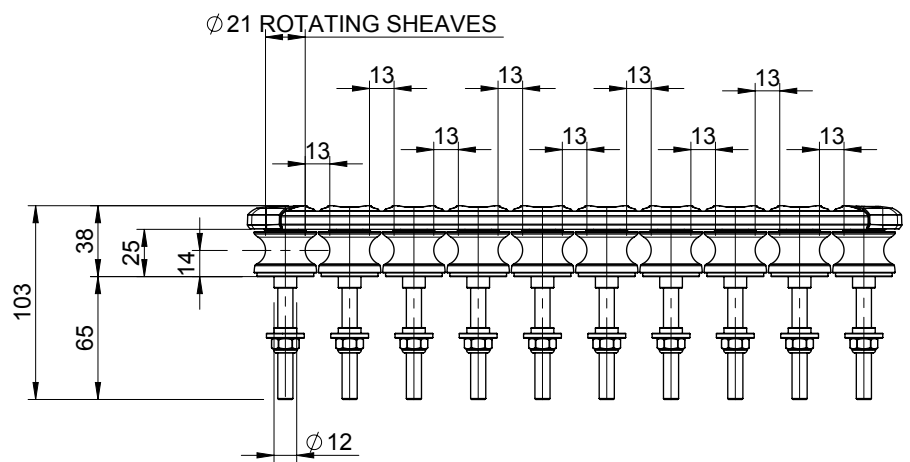
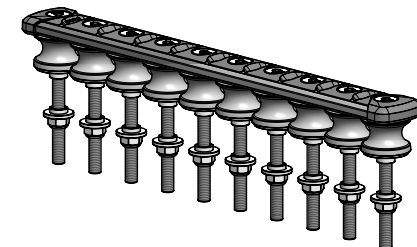
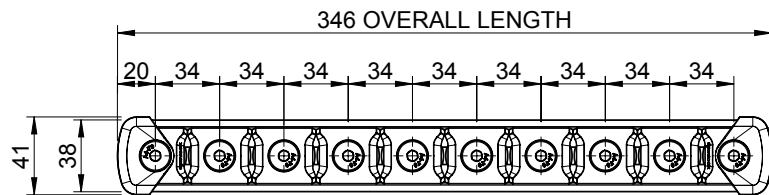
1:4

PAGE SIZE  
 (297 x 210)

A4

DATE:	SEP17
LINE SIZE:	Ø13 MAX
FASTENERS:	9 x M8
MAX LOAD:	SEE TABLE

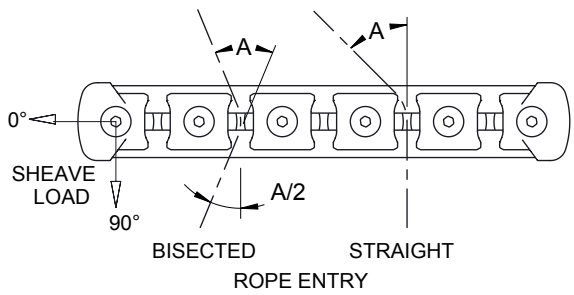
**TSR20L/9**



**MAXIMUM SHEAVE LOADS:**  
 LONGITUDINAL (0°) 1750kg  
 TRANSVERSE (90°) 1225kg  
 COMBINED 8750kg

**MAX ROPE TENSION (kg)**

DEFLECTION ANGLE 'A' (°)	BISECTED ENTRY	STRAIGHT ENTRY
15	5750	5650
30	2900	2710
45	1960	1690
60	1500	1180
90	1060	740



**SHEAVE SPACING:**  
 STANDARD SHEAVE SPACING SHOWN.  
 CUSTOM SPACING AVAILABLE IN 1.0MM INCREMENTS.

**WEIGHT:**  
 1338g (INCLUDING FULL LENGTH STAINLESS STEEL DECK FIXINGS)  
 TITANIUM OPTION AVAILABLE (913g) - CONTACT SPINLOCK FOR MORE INFORMATION.

**INSTALLATION:**  
 MOUNTING SURFACE MUST BE SUFFICIENTLY STRONG AND STIFF TO WITHSTAND COMPRESSIVE AND SHEAR FORCES EXERTED BY SHEAVE LOADING

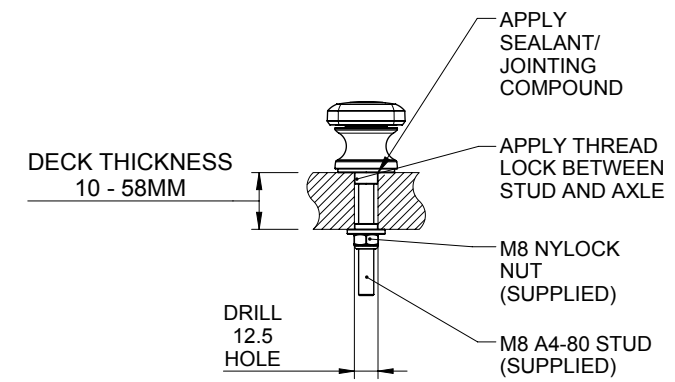
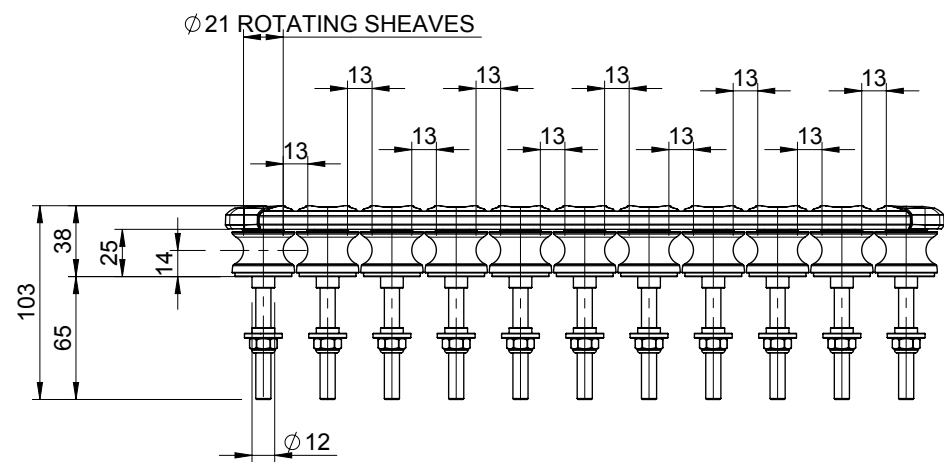
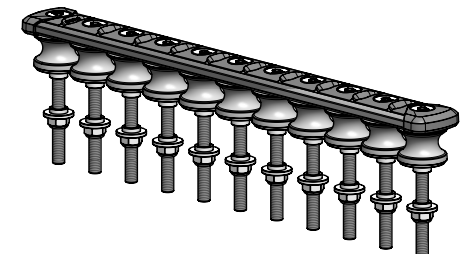
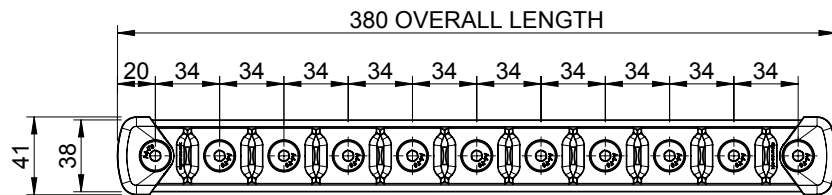
**spinlock**  
 BE ADVENTURE-PROOF

**WARNING:**  
 IF USING AS TEMPLATE, ENSURE PRINTER SETTINGS ARE ADJUSTED TO ACCOUNT FOR THE DRAWING SCALE AND **ALWAYS** CHECK DIMENSIONS.  
**COPYRIGHT:**  
 THIS DRAWING IS PROTECTED BY COPYRIGHT. ANY USE IS FORBIDDEN WITHOUT THE WRITTEN CONSENT OF SPINLOCK.

ALL DIMENSIONS IN MM  
 SCALE 1:4  
 PAGE SIZE (297 x 210)  
 A4

DATE:	SEP17
LINE SIZE:	Ø13 MAX
FASTENERS:	10 x M8
MAX LOAD:	SEE TABLE

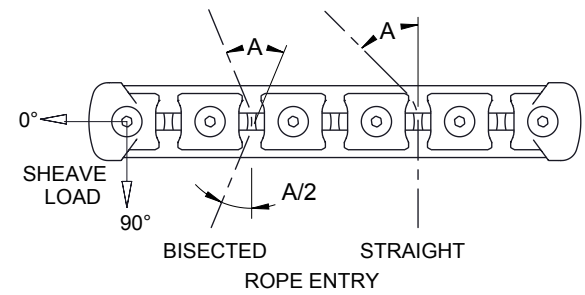
**TSR20L/10**



**MAXIMUM SHEAVE LOADS:**  
 LONGITUDINAL (0°) 1750kg  
 TRANSVERSE (90°) 1225kg  
 COMBINED 9625kg

**MAX ROPE TENSION (kg)**

DEFLECTION ANGLE 'A' (°)	BISECTED ENTRY	STRAIGHT ENTRY
15	5750	5650
30	2900	2710
45	1960	1690
60	1500	1180
90	1060	740



**SHEAVE SPACING:**  
 STANDARD SHEAVE SPACING SHOWN.  
 CUSTOM SPACING AVAILABLE IN 1.0MM INCREMENTS.

**WEIGHT:**  
 1471g (INCLUDING FULL LENGTH STAINLESS STEEL DECK FIXINGS)  
 TITANIUM OPTION AVAILABLE (1004g) - CONTACT SPINLOCK FOR MORE INFORMATION.

**INSTALLATION:**  
 MOUNTING SURFACE MUST BE SUFFICIENTLY STRONG AND STIFF TO WITHSTAND COMPRESSIVE AND SHEAR FORCES EXERTED BY SHEAVE LOADING

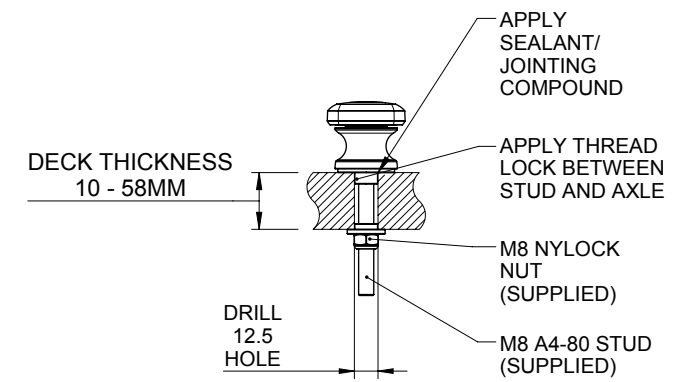
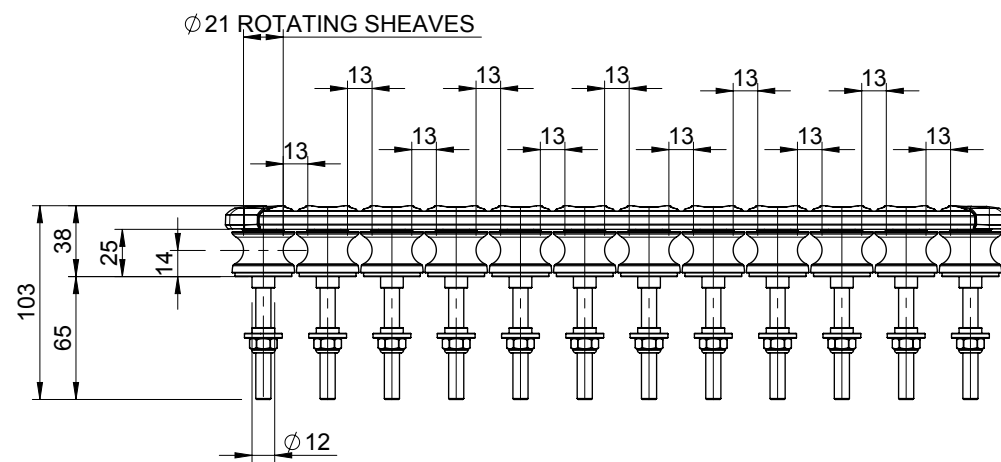
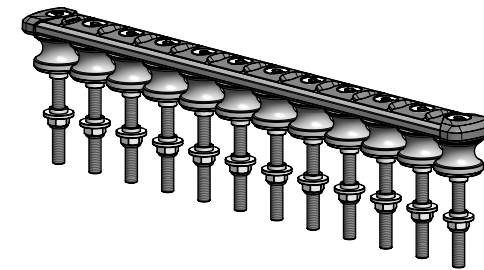
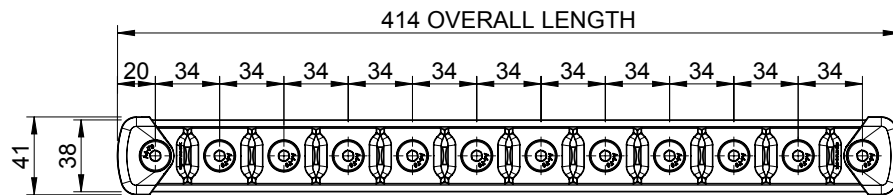
**spinlock**  
 BE ADVENTURE-PROOF

**WARNING:**  
 IF USING AS TEMPLATE, ENSURE PRINTER SETTINGS ARE ADJUSTED TO ACCOUNT FOR THE DRAWING SCALE AND **ALWAYS** CHECK DIMENSIONS.  
**COPYRIGHT:**  
 THIS DRAWING IS PROTECTED BY COPYRIGHT. ANY USE IS FORBIDDEN WITHOUT THE WRITTEN CONSENT OF SPINLOCK.

ALL DIMENSIONS IN MM  
 SCALE 1:4  
 PAGE SIZE (297 x 210)  
 A4

DATE: SEP17  
 LINE SIZE: Ø13 MAX  
 FASTENERS: 11 x M8  
 MAX LOAD: SEE TABLE

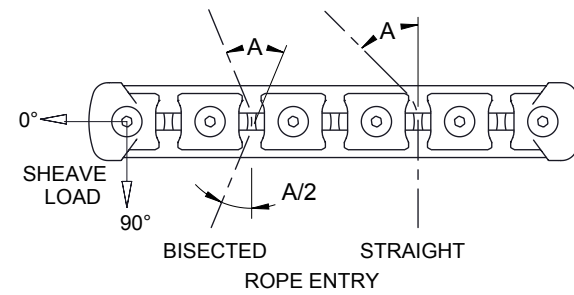
**TSR20L/11**



**MAXIMUM SHEAVE LOADS:**  
 LONGITUDINAL (0°) 1750kg  
 TRANSVERSE (90°) 1225kg  
 COMBINED 10500kg

**MAX ROPE TENSION (kg)**

DEFLECTION ANGLE 'A' (°)	BISECTED ENTRY	STRAIGHT ENTRY
15	5750	5650
30	2900	2710
45	1960	1690
60	1500	1180
90	1060	740



**SHEAVE SPACING:**  
 STANDARD SHEAVE SPACING SHOWN.  
 CUSTOM SPACING AVAILABLE IN 1.0MM INCREMENTS.

**WEIGHT:**  
 1605g (INCLUDING FULL LENGTH STAINLESS STEEL DECK FIXINGS)  
 TITANIUM OPTION AVAILABLE (1095g) - CONTACT SPINLOCK FOR MORE INFORMATION.

**INSTALLATION:**  
 MOUNTING SURFACE MUST BE SUFFICIENTLY STRONG AND STIFF TO WITHSTAND COMPRESSIVE AND SHEAR FORCES EXERTED BY SHEAVE LOADING

**spinlock**  
 BE ADVENTURE-PROOF

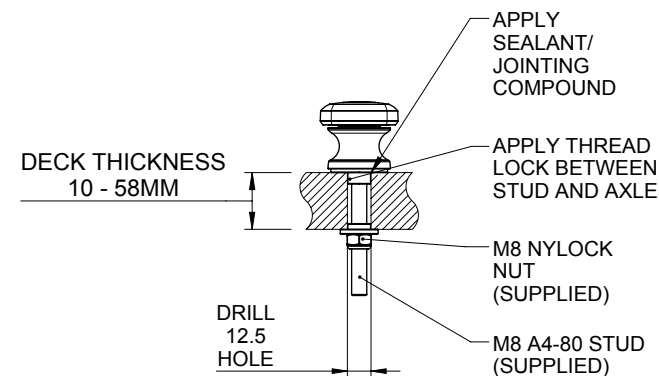
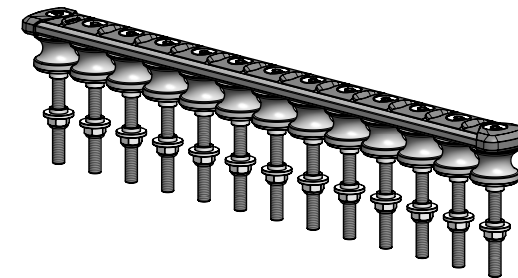
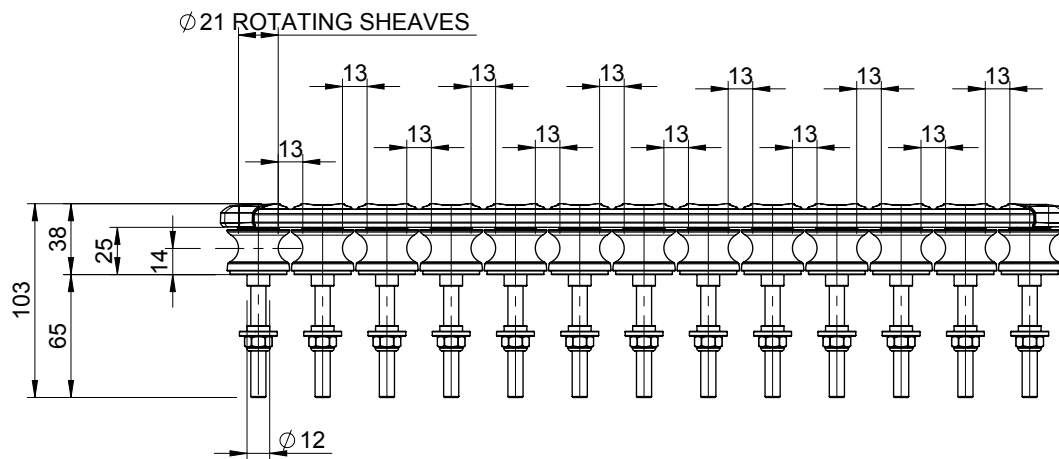
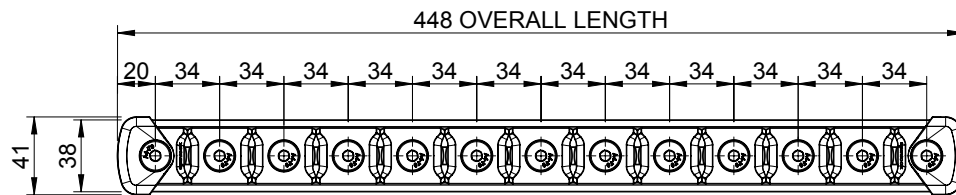
**WARNING:**  
 IF USING AS TEMPLATE, ENSURE PRINTER SETTINGS ARE ADJUSTED TO ACCOUNT FOR THE DRAWING SCALE AND **ALWAYS** CHECK DIMENSIONS.  
**COPYRIGHT:**  
 THIS DRAWING IS PROTECTED BY COPYRIGHT. ANY USE IS FORBIDDEN WITHOUT THE WRITTEN CONSENT OF SPINLOCK.

ALL DIMENSIONS IN MM  
 SCALE 1:4  
 PAGE SIZE (297 x 210)  
 A4

DATE:	SEP17
LINE SIZE:	Ø13 MAX
FASTENERS:	12 x M8
MAX LOAD:	SEE TABLE

**TSR20L/12**

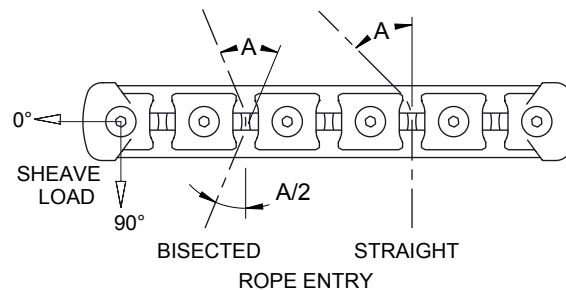




**MAXIMUM SHEAVE LOADS:**  
 LONGITUDINAL (0°) 1750kg  
 TRANSVERSE (90°) 1225kg  
 COMBINED 11375kg

**MAX ROPE TENSION (kg)**

DEFLECTION ANGLE 'A' (°)	BISECTED ENTRY	STRAIGHT ENTRY
15	5750	5650
30	2900	2710
45	1960	1690
60	1500	1180
90	1060	740



**SHEAVE SPACING:**  
 STANDARD SHEAVE SPACING SHOWN.  
 CUSTOM SPACING AVAILABLE IN 1.0MM INCREMENTS.

**WEIGHT:**  
 1739g (INCLUDING FULL LENGTH STAINLESS STEEL DECK FIXINGS)  
 TITANIUM OPTION AVAILABLE (1186g) - CONTACT SPINLOCK FOR MORE INFORMATION.

**INSTALLATION:**  
 MOUNTING SURFACE MUST BE SUFFICIENTLY STRONG AND STIFF TO WITHSTAND COMPRESSIVE AND SHEAR FORCES EXERTED BY SHEAVE LOADING

**spinlock**  
 BE ADVENTURE-PROOF



**WARNING:**  
 IF USING AS TEMPLATE, ENSURE PRINTER SETTINGS ARE ADJUSTED TO ACCOUNT FOR THE DRAWING SCALE AND **ALWAYS** CHECK DIMENSIONS.



**COPYRIGHT:**  
 THIS DRAWING IS PROTECTED BY COPYRIGHT. ANY USE IS FORBIDDEN WITHOUT THE WRITTEN CONSENT OF SPINLOCK.

ALL DIMENSIONS IN MM

SCALE

1:4

PAGE SIZE  
(297 x 210)

A4

DATE: SEP17

LINE SIZE: Ø13 MAX

FASTENERS: 13 x M8

MAX LOAD: SEE TABLE

**TSR20L/13**