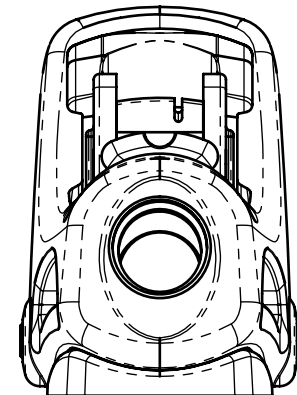
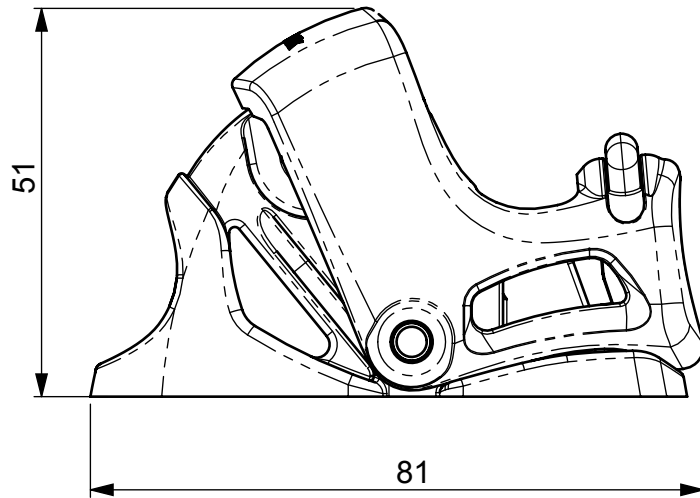
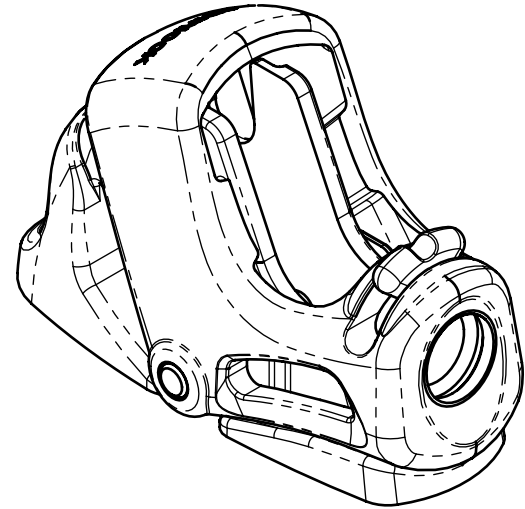
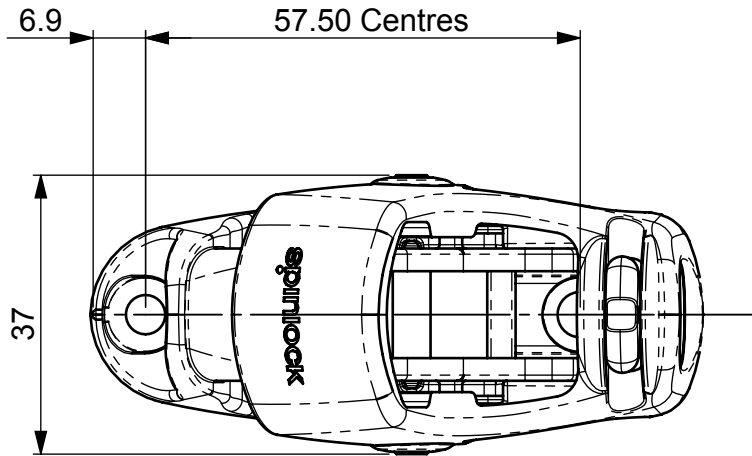


spinlock

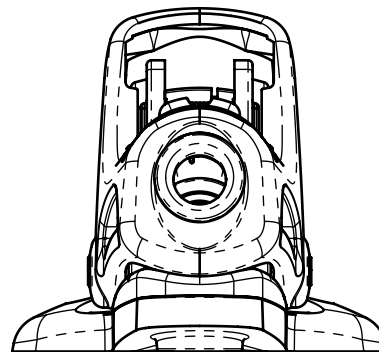
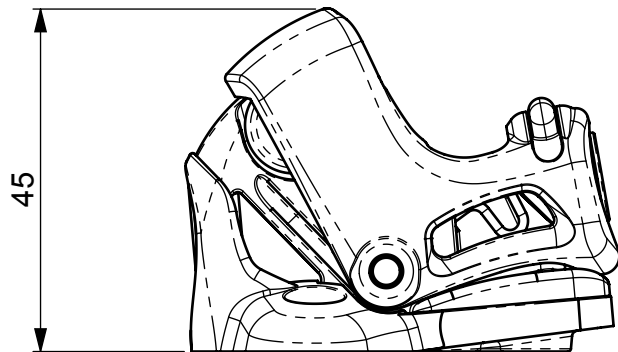
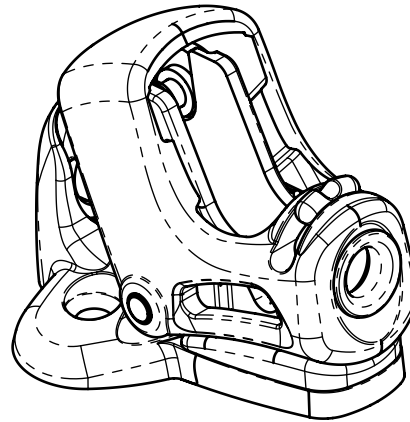
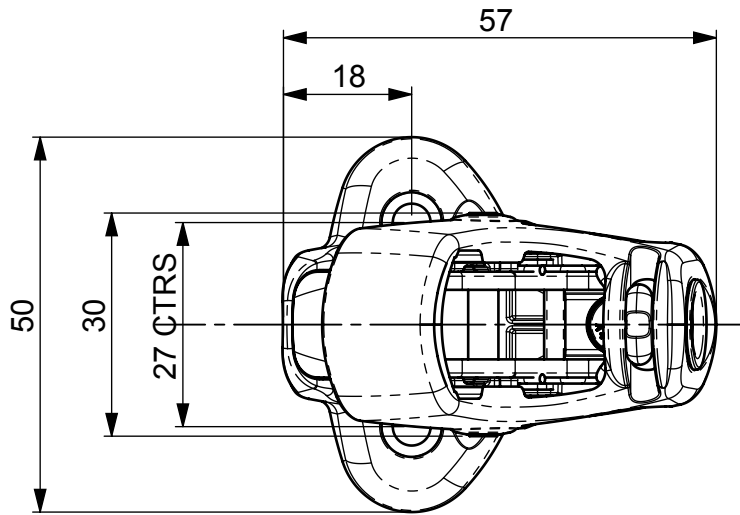
SPINLOCK REFERENCE
PXR0206

SCALE 1:1
ALL DIMENSIONS IN mm

FASTENERS
2 x M4 (2 x 5/32")



spinlock
SPINLOCK REFERENCE PXR0810
SCALE 1:1 ALL DIMENSIONS IN mm
FASTENERS 2 x M5 (2 x 3/16")

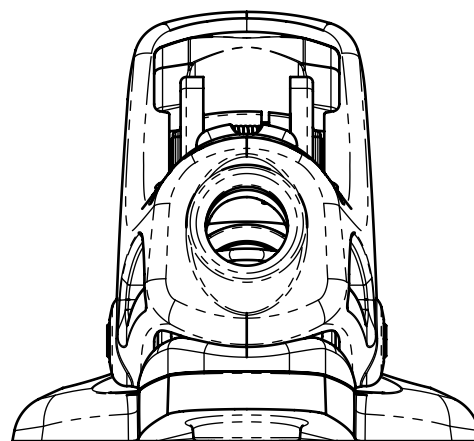
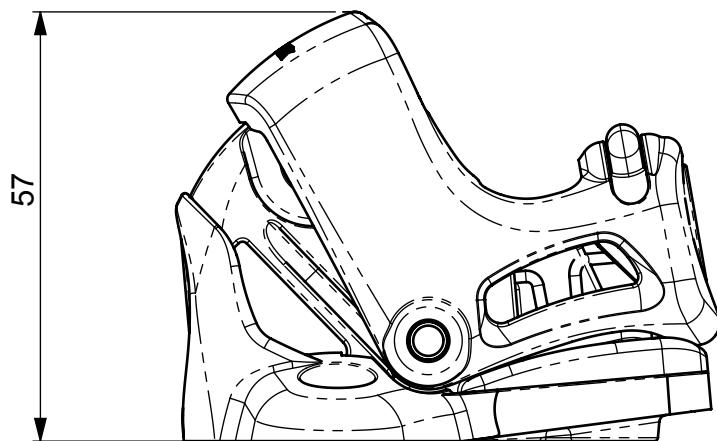
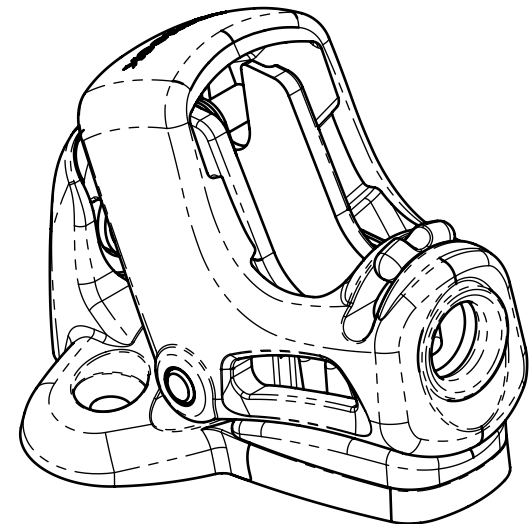
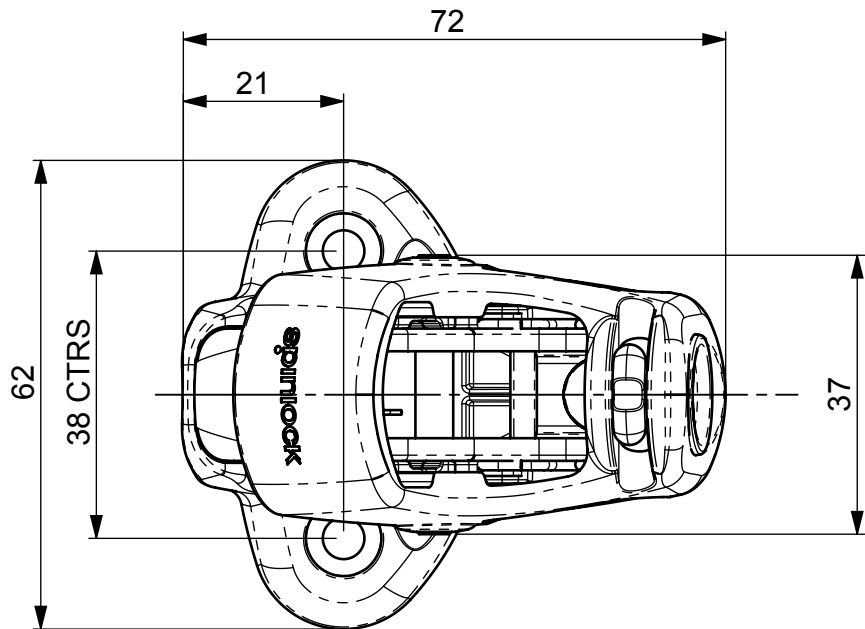


spinlock

SPINLOCK REFERENCE
PXR0206/T

SCALE 1:1
ALL DIMENSIONS IN mm

FASTENERS
2 x M4 (2 x 5/32")

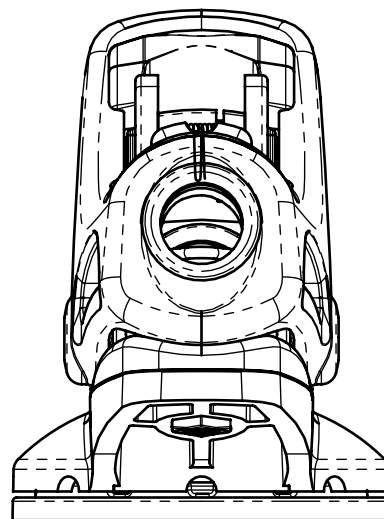
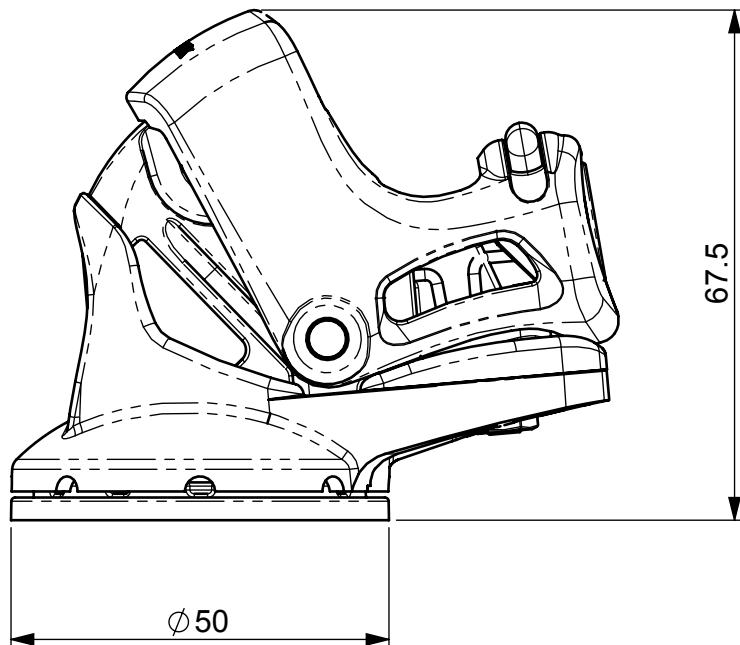
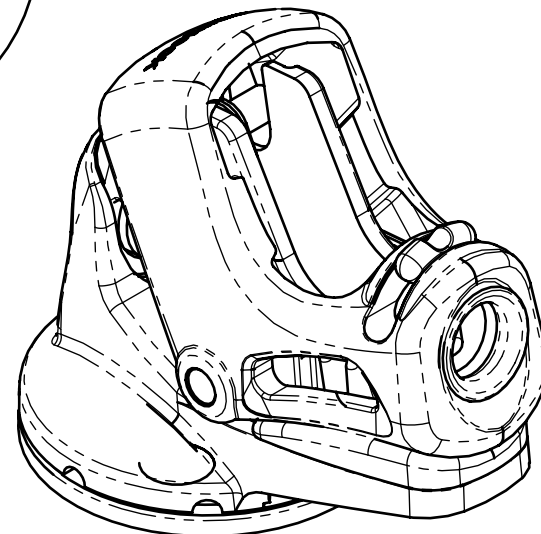
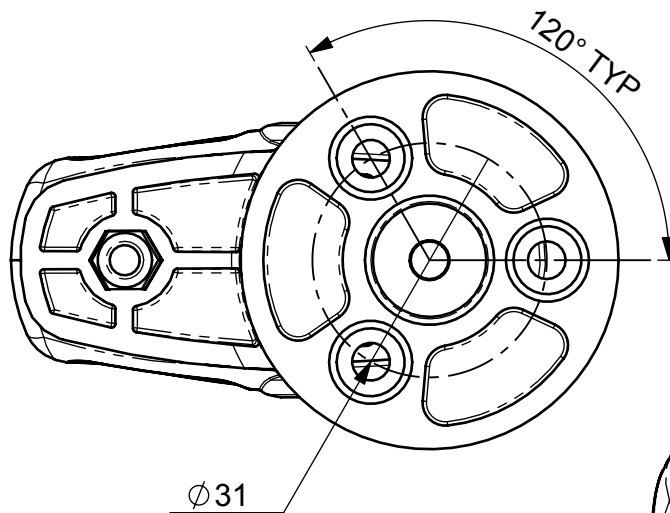
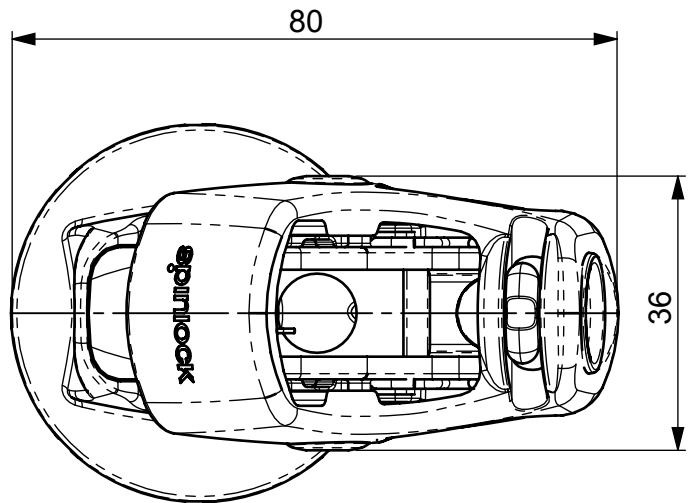


spinlock

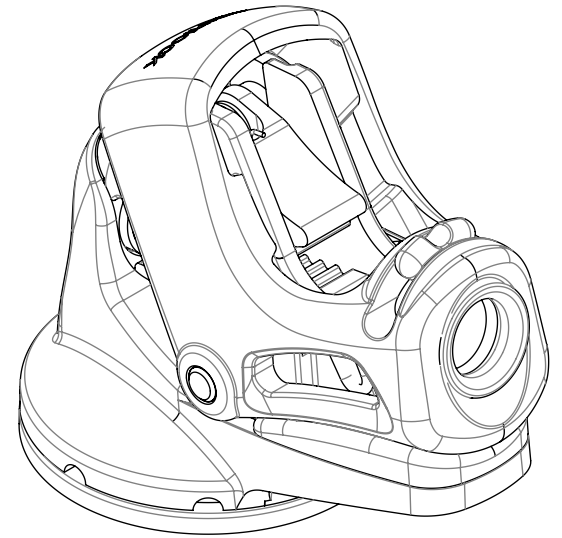
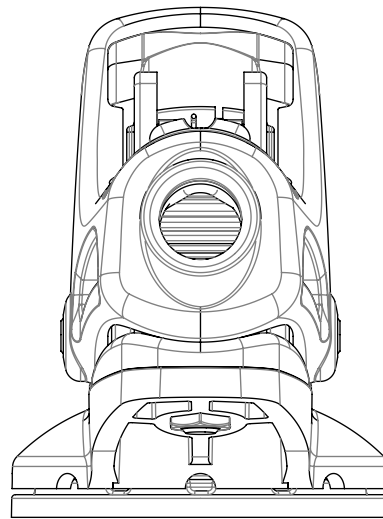
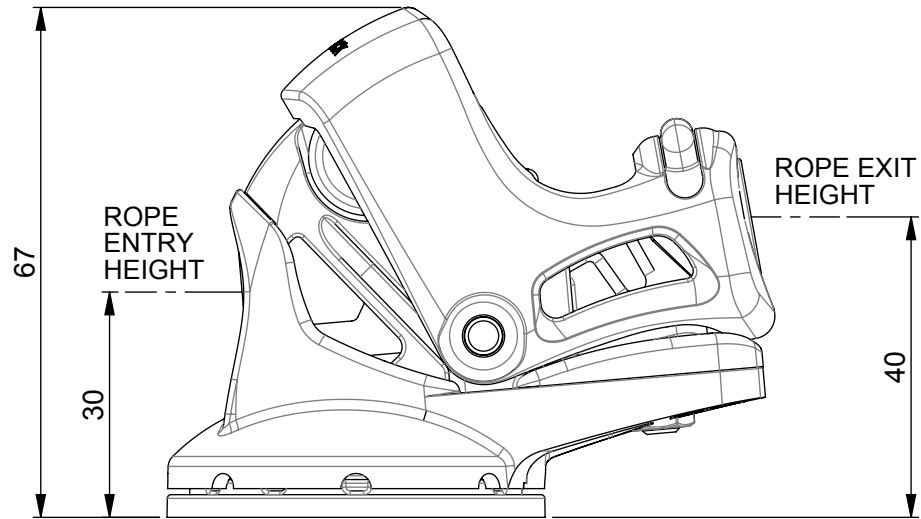
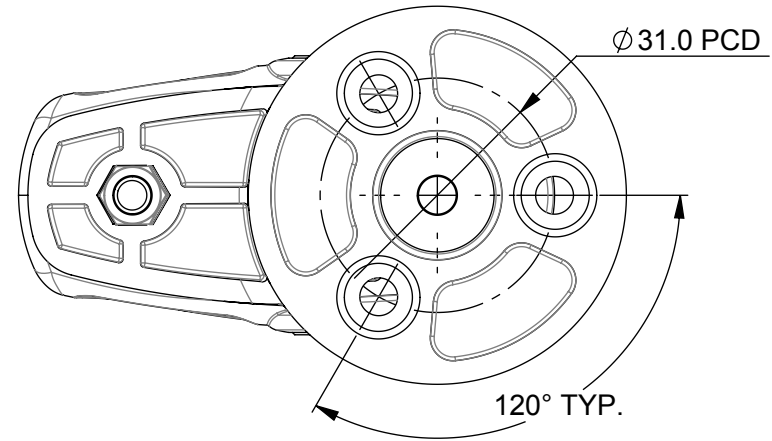
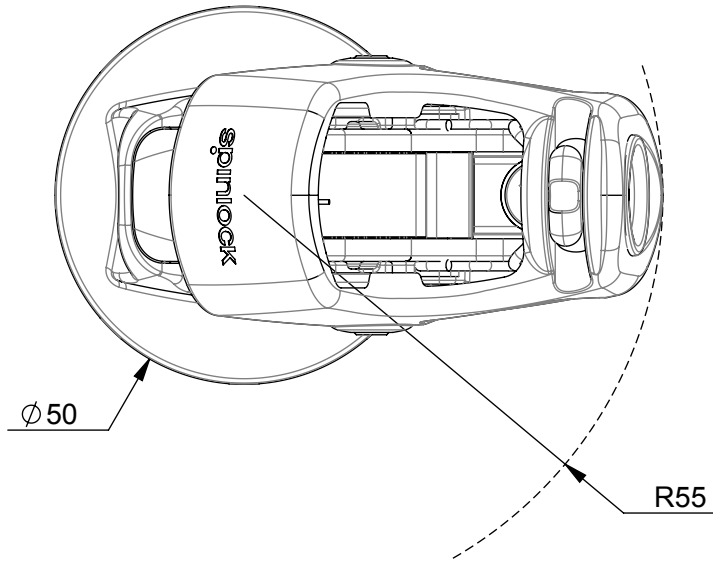
SPINLOCK REFERENCE
PXR0810/T

SCALE 1:1
ALL DIMENSIONS IN mm

FASTENERS
2 x M5 (2 x 3/16")

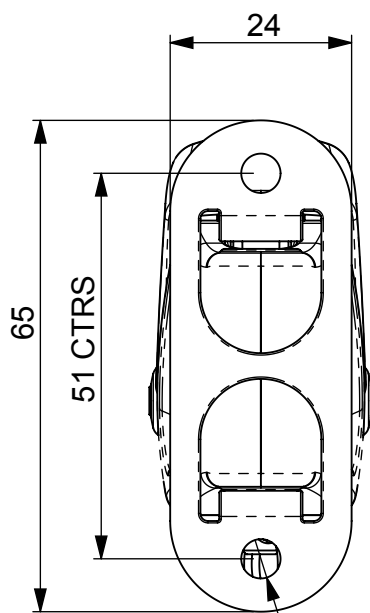
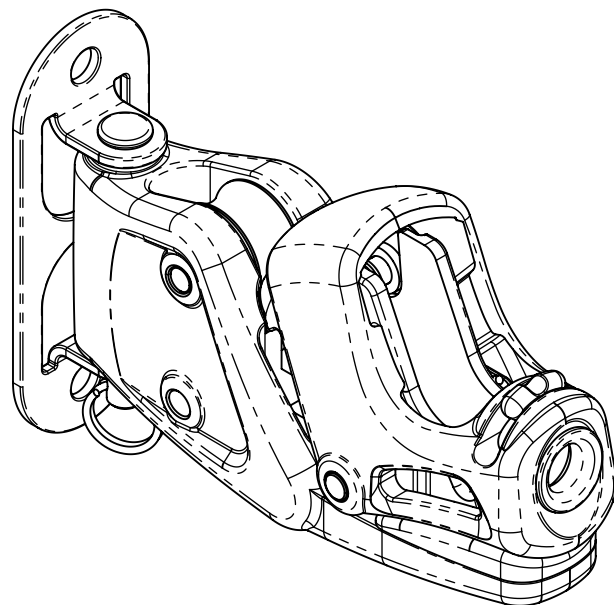
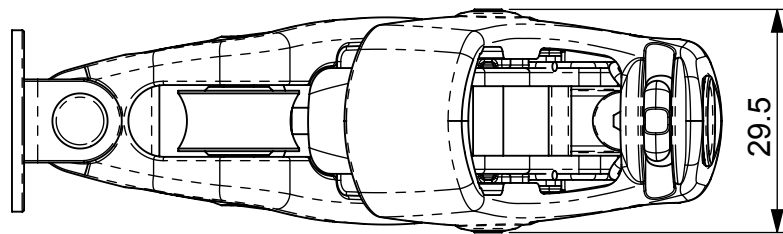


spinlock
SPINLOCK REFERENCE PXR0206/SW
SCALE 1:1 ALL DIMENSIONS IN mm
FASTENERS 3 x M5 (3 x 3/16")

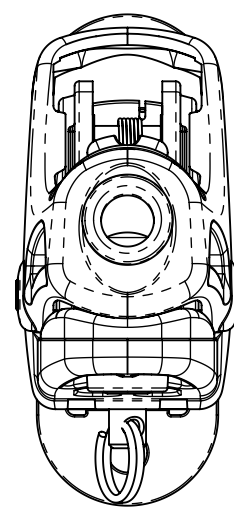
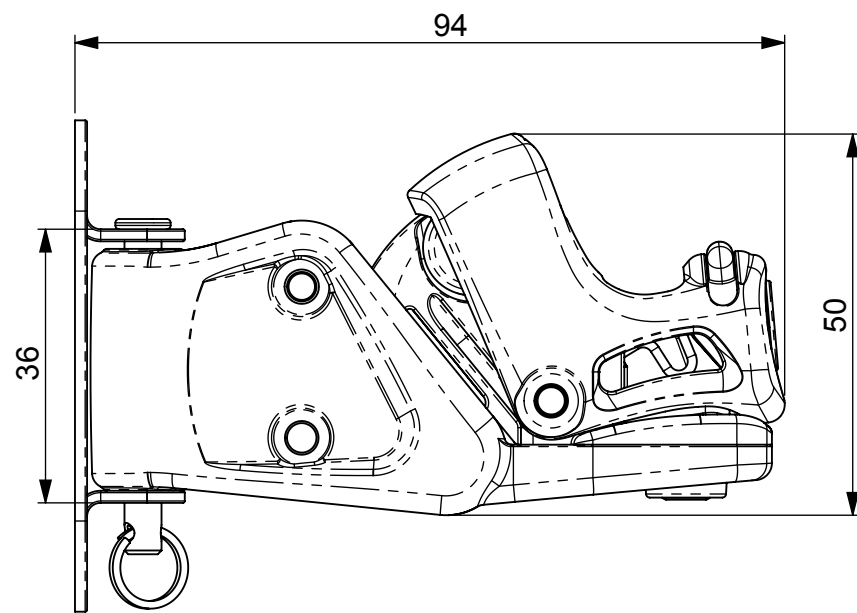


spinlock		PXR0810-SW(2D)_APR14	
ALL DIMENSIONS IN MM		LINE SIZE	$\varnothing 2-6$ MM
SCALE 1:1	PAGE SIZE A4	FASTENERS	3 x M5 CSK (3 x 3/16")
		MAX LOAD	140KG
		WEIGHT	124g

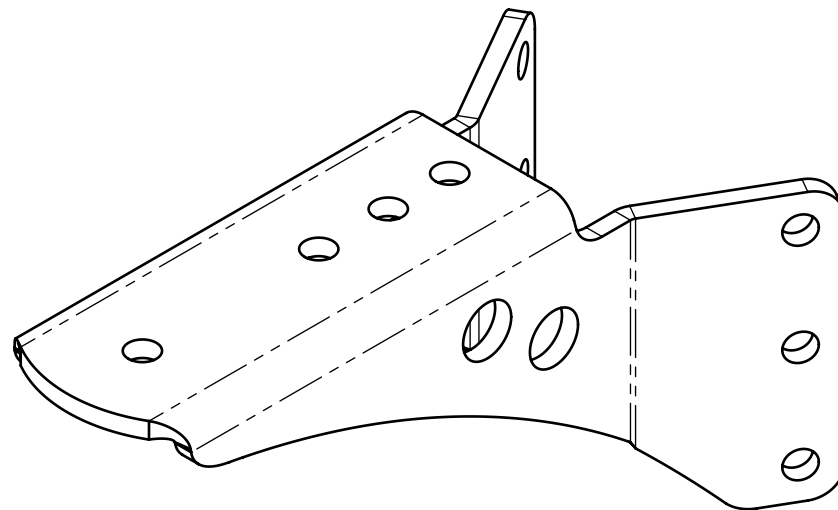
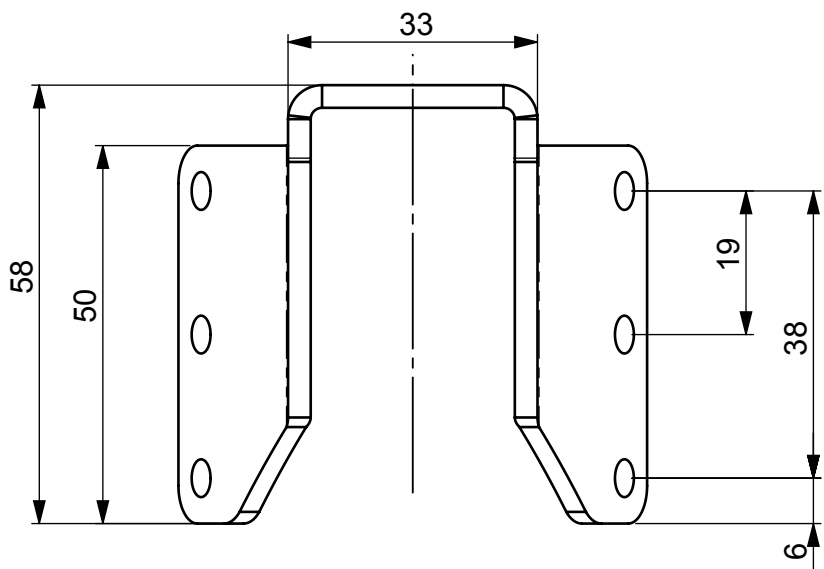
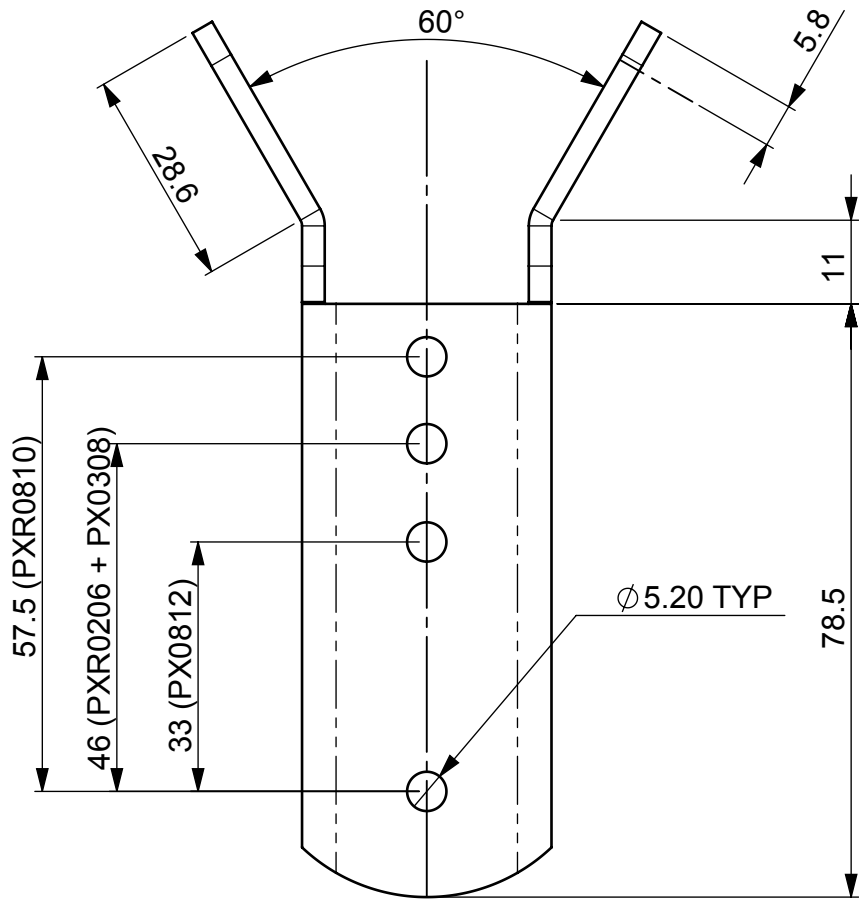
THIS DRAWING IS PROTECTED BY COPYRIGHT. ANY USE IS FORBIDDEN WITHOUT THE WRITTEN CONSENT OF SPINLOCK.



Ø 5.20 TYP



spinlock
SPINLOCK REFERENCE PXR0206/VP
SCALE 1:1 ALL DIMENSIONS IN mm
FASTENERS 2 x M5 (2 x 3/16") OR RIVETS



spinlock

SPINLOCK REFERENCE
PXR/PX BRACKET

SCALE 1:1
ALL DIMENSIONS IN mm

FASTENERS
6 x M5 (6 x 3/16")
OR RIVETS